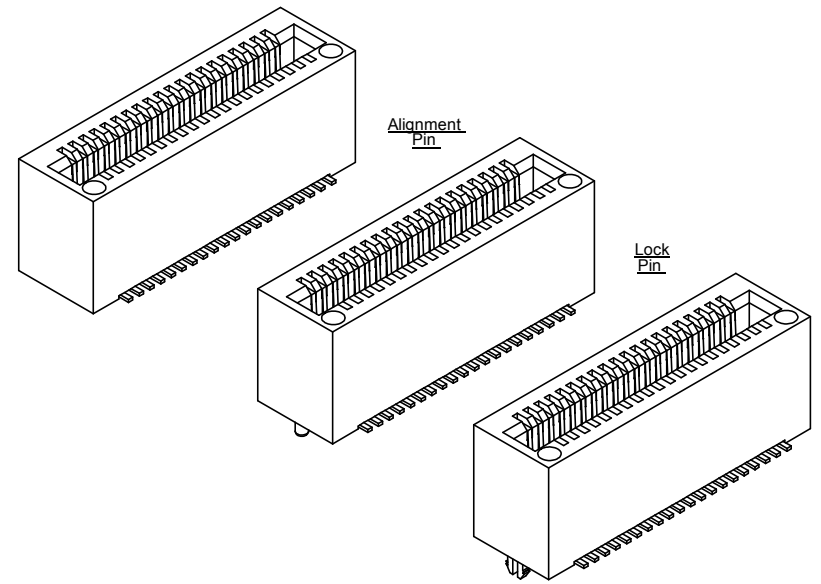
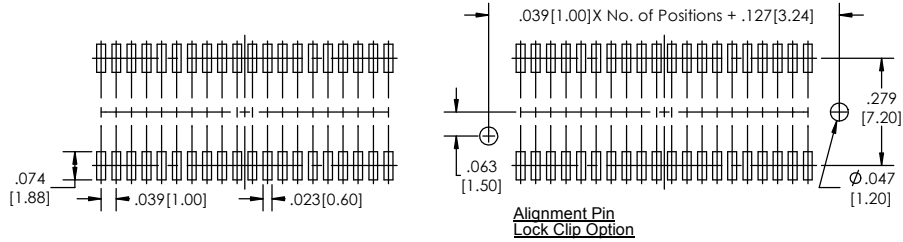
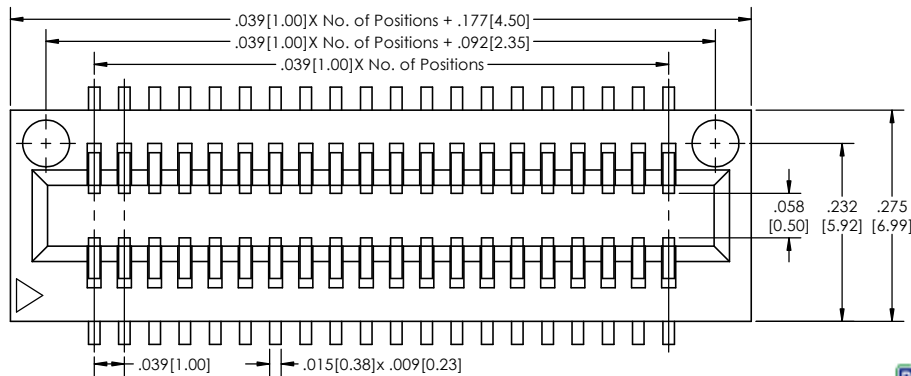
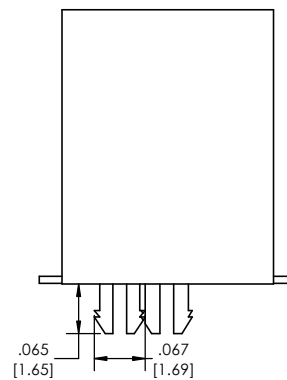
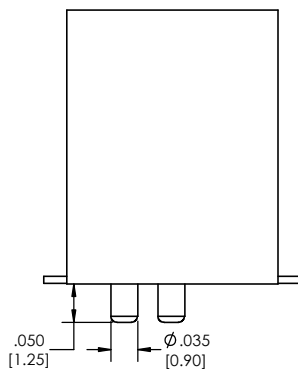
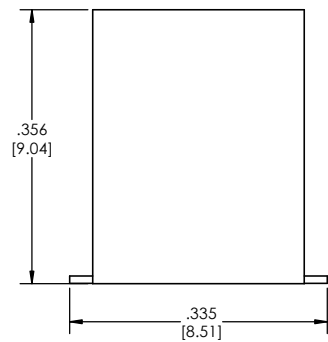


Recommended P.C. Board Layout
SCALE 4:1



Alignment Pin Option

Lock Pin Option



PCI-7 XX - D - 02 - XX - XX - X - XX - LF
(A) (B) (C) (D) (E) (F) (G) (H)

- A. Pins Per Row
- See Pin Options below
- B. Row Specification
- D= Double Row
- C. Pin Option
- 02= .356[9.04]
- D. Plating Options
- See Plating Options below
- E. Packing Information
- TR= Tape and Reel
- F. Pad
- K= Kapton
- If left blank, packaging at MLE's discretion
- Pad may be metal, mylar or plastic
- G. Alignment Option
- Leave blank if not needed
- AP= Alignment Pin
- LC Lock Pin option
- H. Lead Free

Plating Options	
T	Matte Tin all Over
GT	10µ Gold on Contact Area/ Matte Tin on Tail
F	Gold Flash over Entire Pin
FT	Gold Flash on Contact Area/ Matte Tin on Tail

Pins Per Row Options	
Alignment Option	
AP	8 or 20
LC	10 or 20
None	20

Specifications:
Current Rating: 2.0 Ampere
Insulation Resistance: 1000M Ohms Min.
Dielectric Withstanding: 500V AC
Contact Resistance: 20M Ohms Max.
Operation Temperature: -40°C to +105°C

Materials:
Contact Material: Beryllium Alloy
Insulator Material: High Temperature Thermoplastic, UL94V-0 LCP

Tails may be clipped to achieve specific dimensions
Products cut to specific sizes are uncancellable/ nonreturnable.
Parts are subject to change without notice.



PROPRIETARY AND CONFIDENTIAL
THE INFORMATION CONTAINED IN THIS DRAWING IS THE SOLE PROPERTY OF Major League Electronics. ANY REPRODUCTION IN PART OR AS A WHOLE WITHOUT THE WRITTEN PERMISSION OF Major League Electronics IS PROHIBITED.

UNLESS OTHERWISE SPECIFIED:		NAME	DATE
DIMENSIONS ARE IN INCHES		DRAWN	EOW 01/12/15
TOLERANCES:		CHECKED	GWE 01/12/15
ONE DECIMALS ±.100		ENG APPR.	
TWO DECIMAL ±.010		MFG APPR.	
THREE DECIMAL ±.005		ADDRESS:	
FOUR DECIMAL ±.002		2533 Centennial Blvd.	
NEXT ASSY	USED ON	Jeffersonville, IN 47130	
		Phone: 812-670-4174	
		Fax: 812-670-4175	
		E-Mail: mle@mlelectronics.com	
APPLICATION	DO NOT SCALE DRAWING		

TITLE: PCI-7 Series
SIZE DWG. NO. **C** REV **A**
SCALE 8:1 SHEET 1 OF 1